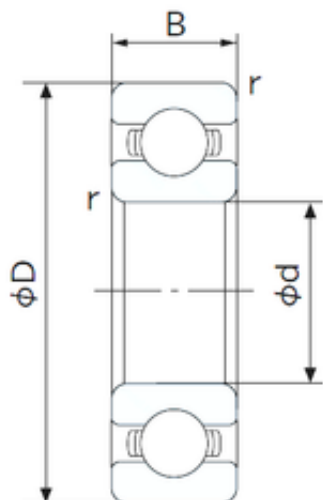




China abec 9 Bearing Supplier



6313 - O&Kai Z1V1 Z2V2 Z3V3 Deep Groove Ball Bearing SKF NSK NTN NACHI Koyo FAG OEM ISO

Bearing No. 6313

Size	65x140x33 mm
Bore Diameter	65 mm
Outer Diameter	140 mm
Width	33 mm
d	65 mm
D	140 mm
B	33 mm
C	33 mm
r min.	2.1 mm
da min.	77 mm
Da max.	128 mm
ra max.	2.0 mm
Weight	2.08 Kg
Basic dynamic load rating (C)	92,5 kN
Basic static load rating (C0)	59,5 kN
(Grease) Lubrication Speed	4700 r/min
Category	Single Row Ball Bearings
Inventory	0.0
Manufacturer Name	NACHI
Minimum Buy Quantity	N/A
Weight / Kilogram	0
Product Group	B00308
Enclosure	Open
Precision Class	ABEC 1 ISO P0

6313 Bearing 2D drawings and 3D CAD models



China abec 9 Bearing Supplier

Maximum Capacity / Filling Slot	No
Rolling Element	Ball Bearing
Snap Ring	No
Internal Special Features	No
Cage Material	Steel
Internal Clearance	C0-Medium
Inch - Metric	Metric
Long Description	65MM Bore; 140MM Outside Diameter; 33MM Outer Race Width; Open; Ball Bearing; ABEC 1 ISO P0; No Filling Slot; No Snap Ring; No Internal Special Features; C0-Medium Internal Clearance; Steel Cage
Other Features	Deep Groove
Category	Single Row Ball Bearing
UNSPSC	31171504
Harmonized Tariff Code	8482.10.50.68
Noun	Bearing
Keyword String	Ball
Manufacturer URL	http://www.nachiamerica.com
Weight / LBS	4.885
Inner Race Width	0 Inch 0 Millimeter
Outer Race Width	1.299 Inch 33 Millimeter
Bore	2.559 Inch 65 Millimeter
Outside Diameter	5.512 Inch 140 Millimeter
Bore Type	Cylindrical Bore
Configuration	Single Row
Bore Size	65 mm
Width	33 mm
Fillet Radius/Chamfer	2.1 mm



China abec 9 Bearing Supplier

Dynamic Load Rating	92,500 N
Static Load Rating	59,500 N
Limiting Speed - Grease	4,900 rpm
Limiting Speed - Oil	6,000 rpm
Factor fo	13.2
Radial Clearance	0.008 to 0.028 mm
da (min)	77 mm
Da (max)	128 mm
ra (max)	2 mm