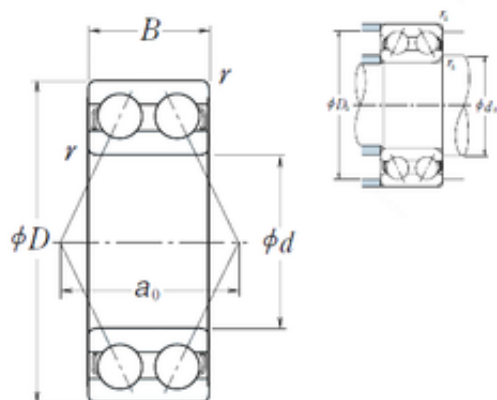




## China abec 9 Bearing Supplier



japan nsk bearing 5306 angular contact ball bearing 5306

Bearing No. 5306

5306 Bearing 2D drawings and 3D CAD models

Size	30x72x30.2 mm
Bore Diameter	30 mm
Outer Diameter	72 mm
Width	30,2 mm
d	30 mm
D	72 mm
B	30,2 mm
C	30,2 mm
a	36,5 mm
r min.	1,1 mm
da min.	37 mm
da max	65 mm
ra max.	1 mm
Weight	0,51 Kg
Basic dynamic load rating (C)	40,5 kN
Basic static load rating (C0)	28,1 kN
(Grease) Lubrication Speed	6 300 r/min
SRI	6.19
hidYobi	5306
LangID	1
D_	72
SREX	0.025
B_	30.2
hidTable	ecat_NSANGBD
Oil rpm	8500



## China abec 9 Bearing Supplier

SRE	6.19
mass	0.51
GRS rpm	6300
ra	1
SRIX	0.025
D_a	65
SRIN	0
C0	28.1
SREN	0
DE_	62.95
Prod_Type3	ACBB_DR_A
da	37
DA_	11.906
Z_	8
ALP	50
yobi	5306
ao	36.5
SDM_	51
r	1.1
KBRG	1121
DI_	39.05